

EnGarde™

Ratio/flow monitor package

10:42:20 12/15/00
Ratio = 01.14:1

10:41:00 12/15/00
Ratio = 01.14:1

Batch Information
10:40:27 12/15/00
A Bat Vol = 0031.6 Gal
B Bat Vol = 0028.0 Gal
Tot Bat V = 0059.6 Gal
Batch Ratio = 01.13:1

The EnGarde monitors the actual individual metering pump material output and provides a digital readout on a panel-mounted display screen. These readings can be printed on the optional thermal imaging printer (example shown) or downloaded to disks (PC not included).

Ratio Monitoring Ability

- Reduces scrap
- Avoids operator errors
- Schedules maintenance
- Tracks material usage
- Four alarm warning and limit lights (red and green)
- Electronic phasing
- Monitors system accuracy
- Furnishes users with production run accuracy verification
- Phasing lights assist in metering pump adjustments to optimize mix quality

Reliability

- ± 2 percent accurate
- Solid state circuitry
- Industrial quality
- NEMA 12 standard enclosure
- Intrinsically safe gear-type flow meters

Flexibility

- Easy connection to new or existing equipment
- Two or more flow meter support
- Easy connection to remote alarms
- RS-232 serial communication port and DeviceNet™




Liquid Control

8400 Port Jackson Ave NW
North Canton, OH 44720
(330) 494-1313 Fax: (330) 494-5383
www.liquidcontrol.com

e-mail: salesinfo@liquidcontrol.com

Specifications

The EnGarde™ is configured for use in constant or pulsating flows of metered materials. Outputs from two flow meters can be displayed as a separate total: A,B, A+B, and volume ratio A/B. When placed in the volume ratio mode, a predetermined A/B ratio is compared to the actual measured A/B volume ratio. The operator is alerted to an off-ratio condition via an alarm screen on the controller and a flashing red light on the status tower.

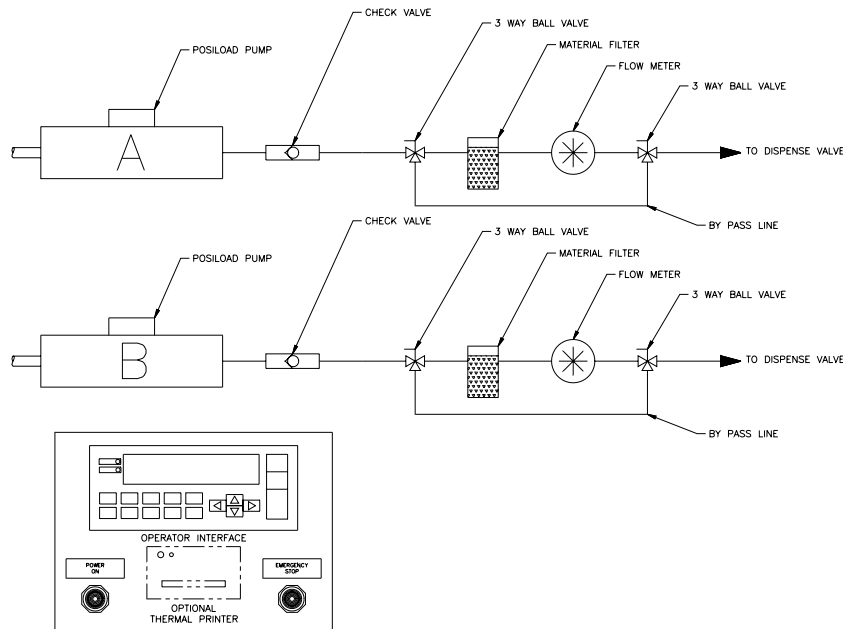
The optional printer outputs – at preset time intervals – the date, time, and ratio. The printer also records alarm messages, indicating actual off-ratio condition and ratio tolerance.

Programmable Features

- Ratio Preset: User selected, compares to actual ratio
- Ratio tolerance: User enters allowable ratio range
- Frequency of printout showing date, time, and actual ratio

Technical Data

- Power Input: 110-120 volts AC
- Consumption: 2 AMPS
- Communication: RS-232, DeviceNet™



Units are designed for specific material and flow parameters.

Individual material and application requirements need to be evaluated prior to purchase.

Manual ratio checks should be taken periodically to validate ratio monitor.

Contact your Liquid Control representative for more details.

Corporate Office: 8400 Port Jackson Ave. NW North Canton, OH 44720-5464
Phone (330) 494-1313 • FAX (330) 494-5383 • www.liquidcontrol.com